

**NSTT**  
GmbH



# Drehbohrgerät **GEAX EK90**

 **GEAX**  
Vertragshändler

**NEUF**  
Spezialtiefbautechnik

- Beratung
- Vermietung
- Verkauf
- Service

# EK90

HYDRAULIC PILING RIG

---





# GEAX EK90 NO COMPROMISE

## HIGH PRODUCTIVITY

Thanks to an efficiently engineered hydraulics with high quality components and a powerful last generation engine, the EK90 offers superior performance relative to the size, while keeping very low running costs.

## UNIQUE ARCHITECTURE

Like all Geax machines, the EK90 has a long supporting boom and a sliding mast. This allows a great variety of tool positioning for drilling like: long reach drilling, low headroom and maximized tool height for casing.

## MANEUVERABILITY

With its compact architecture and a proverbial stability, the EK90 can drill in any site including slopes, uneven terrains and tight spaces. The higher maneuverability allows fast movements compared to a traditional rig.

## VERSATILITY

The EK90 can easily be converted in other drilling modes with modular kits. Common set-ups are kelly drilling and CFA, but many others are possible like diaphragm walls, soil mixing, soil displacement hydraulic hammer and customized set-up.

# LARGE DIAMETER PILES



## KELLY DRILLING

Max pile diameter <sup>1</sup>	mm - in	1500 - 60
Pull down force	kN - lbf	145 - 32.600
Extraction force	kN - lbf	165 - 37.100
Mast stroke	mm - ft	2.250 - 7.4
Rotary stroke on mast	mm - ft	2.000 - 6.6
Total rotary stroke	mm - ft	4.250 - 14
Min working height <sup>2</sup>	mm - ft	6.900 - 22.6

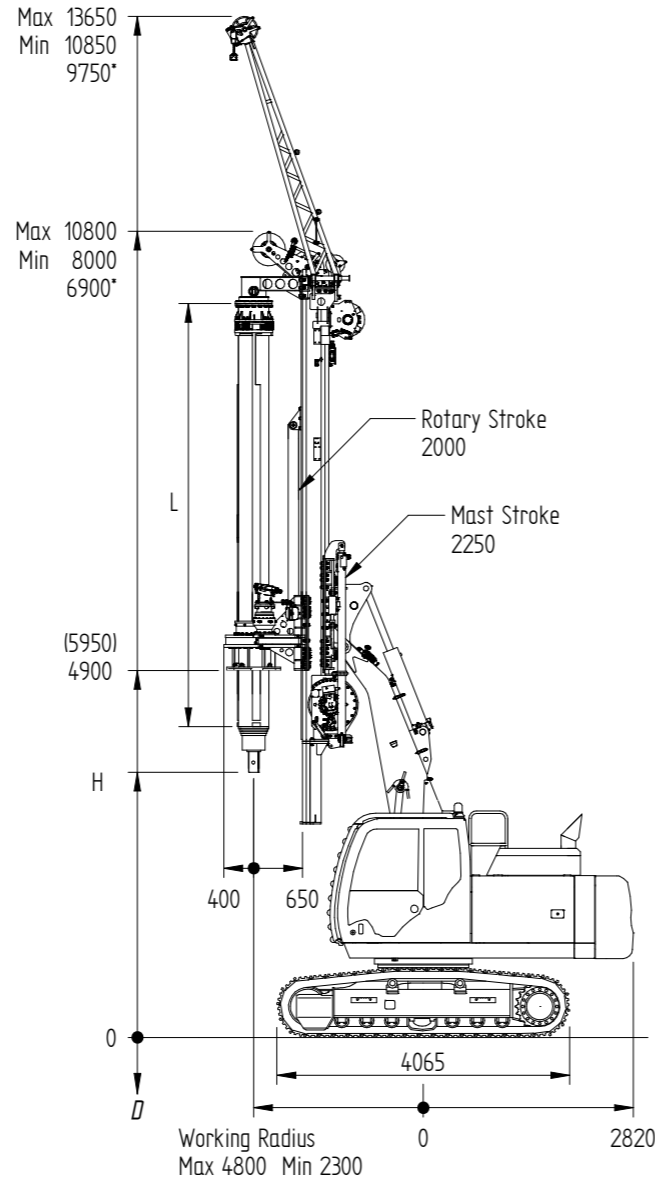
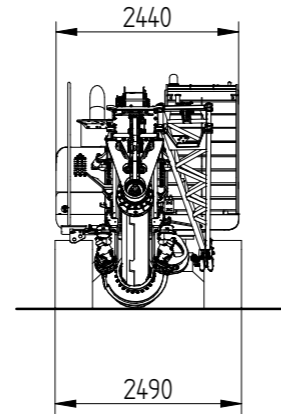
NOTES: 1. Recommended  
2. With a short kelly bar



## KELLY BAR OPTIONS

n° elements x m	Depth	H
5 x 5.6 (standard)	m - ft	25 - 82
6 x 5.6	m - ft	30 - 100
6 x 4.8	m - ft	25 - 82

All kelly bars are round interlocking  
Friction kelly and custom measures available upon request



\* removing the lower mast extension and with a short kelly bar  
( ) moving the mounting position of the rotary on the mast

# CONTINUOUS FLIGHT AUGER



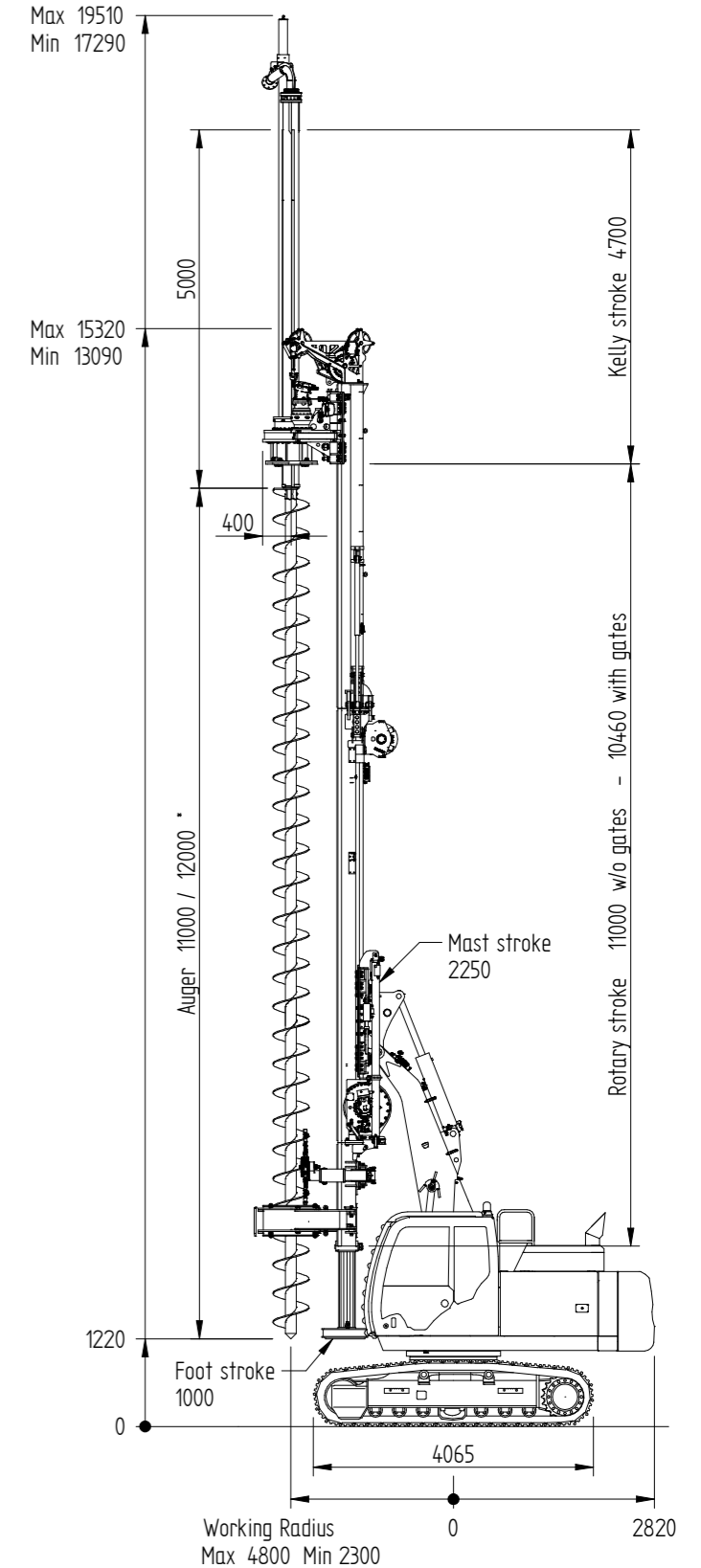
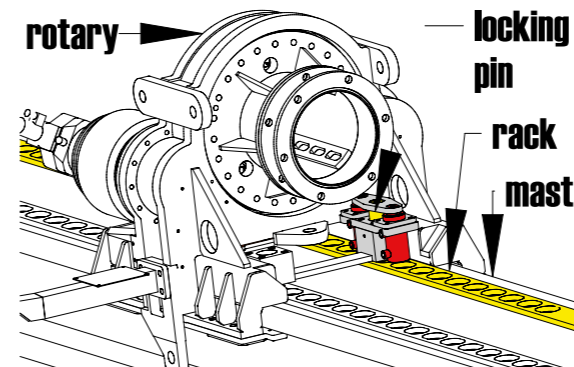
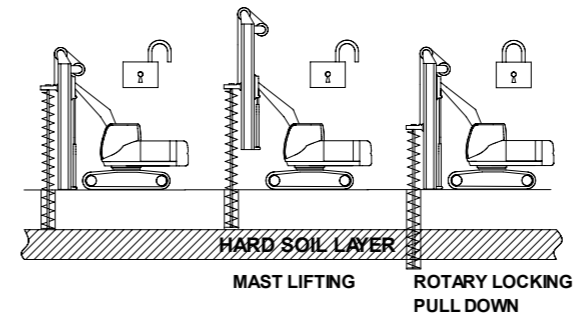
## CFA DRILLING

Max pile diameter <sup>1</sup>	mm - in	750 - 30
Pull down force	kN - lbf	165 - 37.100
Extraction force	kN - lbf	290 - 65.200
Mast stroke	mm - ft	2.250 - 7.4
Max pile depth	m - ft	16.5 - 54
Rotary stroke on mast	mm - ft	11.000 - 36
Total rotary stroke	mm - ft	13.250 - 43.5
Max auger length	mm - ft	12.000 - 39.4

NOTES: 1. Recommended

## BPS Patented Crowd System

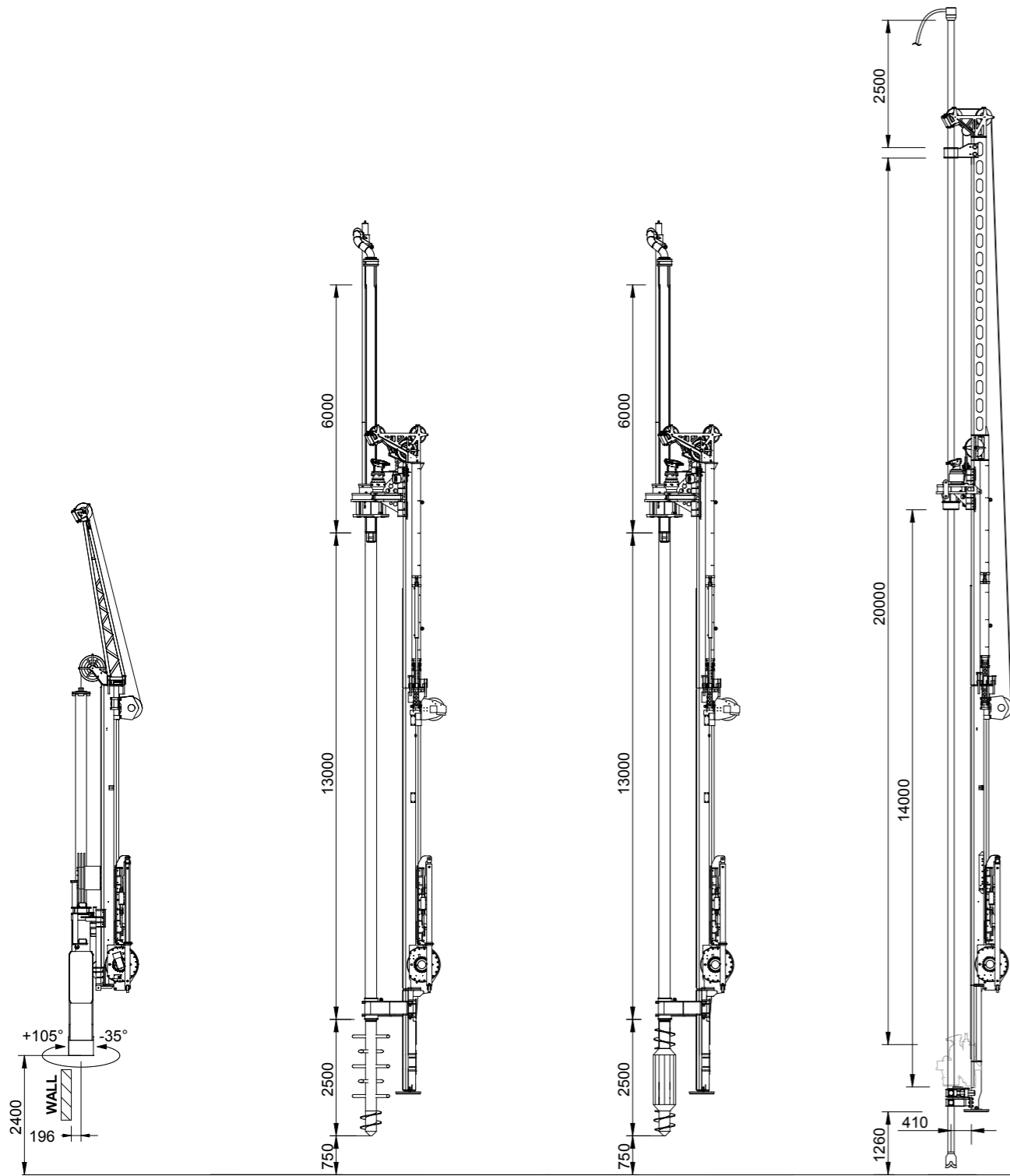
BPS is the Geax patented crowd system for CFA piling providing a mechanical locking system between the rotary head and the mast which creates a crowd force on the auger available along the entire length of the mast. The system is activated only when needed by the operator and requires no pulleys or rope



\* Max Length with open foot

# DRILLING KITS

# TECHNICAL DATA SHEET



## DIAPHRAGM WALL

Max depth 16 m  
Trench width 300-600 mm  
Trench length 2500 mm  
Closing force 200 kN

## SOIL MIXING

Max depth 16.5 m  
Max diameter 600 mm  
Rotary speed 70 rpm

## SOIL DISPLACEMENT

Max depth 16.5 m  
Max diameter 450 mm  
Pull down force 165 kN  
Extraction force 290 kN

## JET GROUTING

Max depth 21 m  
Max torque 12 kNm  
Rotary speed 60 : 180 rpm  
Pull down force 150 kN  
Extraction force 220 kN  
Rev clamps 60 : 360 mm  
Mandrel 60 : 140 mm

## BASE CARRIER

Engine	type	1204F - DL06
Exhaust emission	EU	-
	EPA	Tier4f - 3
Engine power	kW (hp)	97.4 (131) - 88 (120)
Main pumps	l/min	2x152
Hydraulic pressure	bar	330

## MAST

Forward tilt	deg	>10
Backward tilt	deg	>10
Lateral tilt	deg	± 5.5
Mast vertical stroke	mm - ft	2.250 - 7.4

## WINCHES

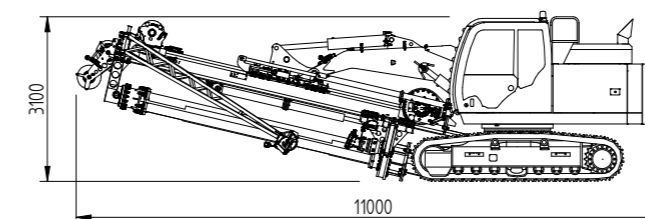
		KELLY	CFA
Main winch line pull (1st layer)	kN - lbf	110 - 24.730	110x3 - 24.730
Aux winch line pull (1st layer)	kN - lbf	50 - 11.240	50 - 11.240

## DRILLING

		KELLY	CFA
Max pile diameter <sup>1</sup>	mm - in	1.500 - 60	750 - 30
Std pile depth	m - ft	25 - 82	16.5 - 54
Max pile depth	m - ft	30 - 100	16.5 - 54
Rotary stroke on mast	mm - ft	2.000 - 6.6	11.000 - 36
Total rotary stroke	mm - ft	4.250 - 14	13.250 - 43.5
Min working headroom <sup>2</sup>	mm - ft	6.900 - 22.6	8.650 - 28.3

## TRANSPORT

### KELLY



## UNDERCARRIAGE

Tracks width	mm - ft	2.490 - 8.2
Tracks length	mm - ft	4.065 - 13.3
Track shoes	mm - ft	500 - 1.64
Tail radius	mm - ft	2.820 - 9.25

## ROTARY HEAD

Torque (nominal)	kNm - lbf ft	87 - 64.170
Drilling speed	rpm	10 - 30
Spin-off speed	rpm	65

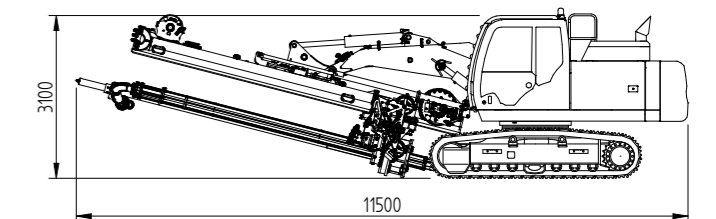
## CROWD SYSTEM

		KELLY	CFA
Pull down force	kN - lbf	145 - 32.600	165 - 37.100
Extraction force	kN - lbf	165 - 37.100	290 - 65.200

## TRANSPORT

		KELLY	CFA
Length	mm - ft	11.000 - 36	11.500 - 37.7
Width	mm - ft	2.490 - 8.2	2.490 - 8.2
Height	mm - ft	3.150 - 10.3	3.150 - 10.3
Weight	kg - lbs	28.000 - 61.700	28.500 - 62.800

### CFA



- Values are effective except where otherwise specified.
- Technical data are provided as indicative information only, they are subject to change without prior notice.

- NOTES:
1. Recommended
  2. Removing the mast extensions and/or with a short kelly bar



WWW.GEAX.IT  
email: info@geax.it  
tel: +39 0717131953

GEAX srl  
Contrada Passatempo 19  
Montefano (MC) ITALY



## Zubehör

Für alle angebotenen Maschinen können Sie über die NSTT GmbH selbstverständlich auch passendes Zubehör kaufen oder anmieten. Wir liefern schnell und unkompliziert die benötigten Zubehöerteile.

Gebrauchartikel sind in überprüfem und einwandfreiem Zustand.

- Kellystangen
- Drehteller
- Bohrrohre (div. Durchmesser)
- Kastenbohrer
- Schneckenbohrer
- Abfangschellen
- Betonierschüttrohre
- u.v.m.



**NEUF**  
Spezialtiefbautechnik



Ihr Ansprechpartner:  
**Hubert Neuf**  
Geschäftsführer

**NSTT GMBH**  
NEUF SPEZIALTIEFBAUTECHNIK  
Industriering 12  
63868 Großwallstadt

Tel.: +49 60 22- 70 91 92 - 0  
Fax: +49 60 22- 70 91 92 - 20  
Mail: [info@nstt.de](mailto:info@nstt.de)

[www.nstt.de](http://www.nstt.de)

Konstruktionsentwicklungen und Prozessverbesserungen können Aktualisierungen und Änderungen von Spezifikationen und Materialien ohne vorherige Ankündigung oder Haftung erforderlich machen. Die Abbildungen enthalten möglicherweise optionale Ausstattung und zeigen nicht alle möglichen Konfigurationen. Diese Angaben und die technischen Daten haben ausschließlich Informationscharakter. Irrtum und Druckfehler vorbehalten.