

T48

Ultra powerful-compact drill rig

1m wide -

Power 100 Kw - 135 Hp



BERETTA[®]

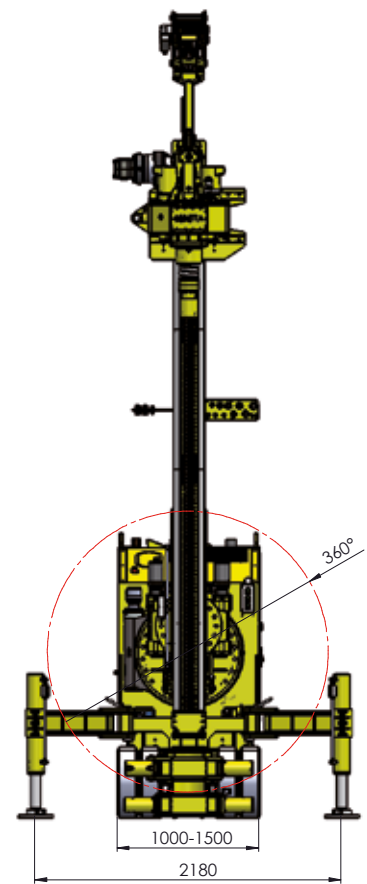
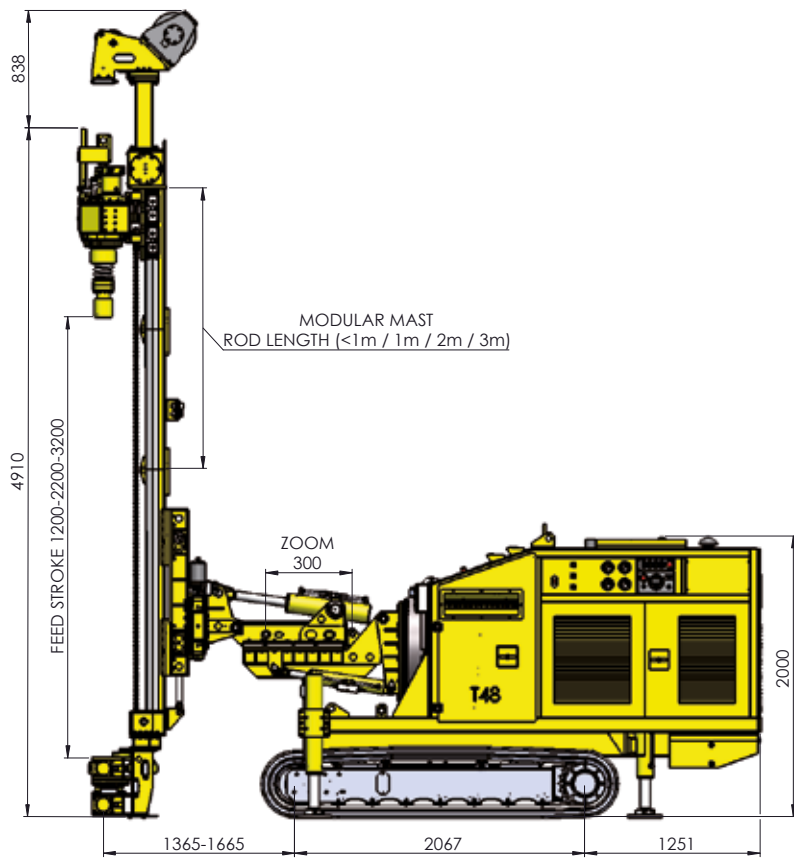
HYDRAULIC DRILLING RIGS



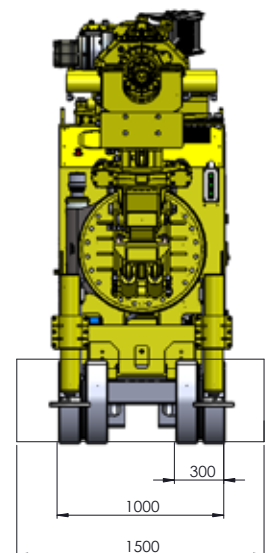
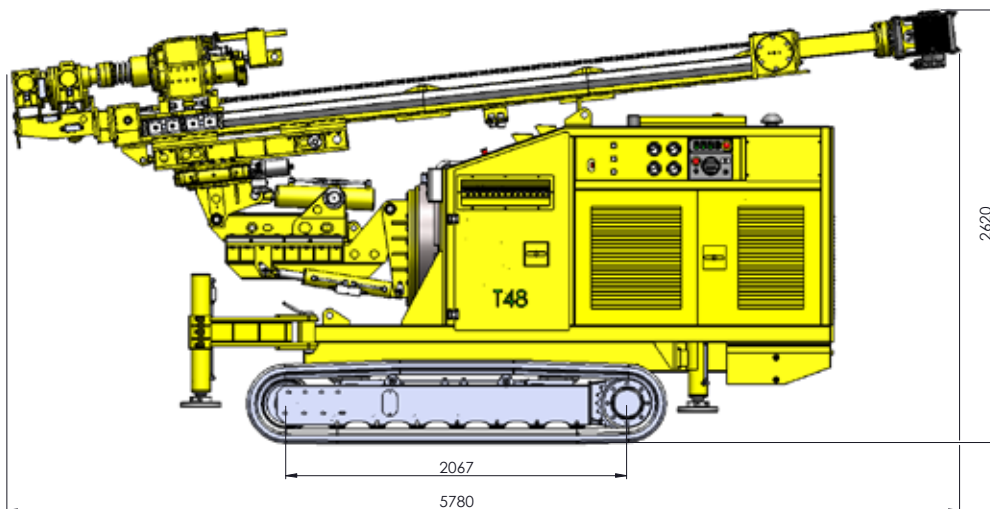
POWER PACK Unità potenza- Unitès puissance- питания- Unidad potencia- Leistungseinheit	
Diesel engine Motore Diesel Moteur Diesel Дизельный двигатель Motor Diesel Dieselmotor	Deutz - Stage IV
Engine power Potenza motore Puissance moteur мощность двигателя Potencia motor Motorleistung	100 kW - 135 HP
Oil tank Serbatoio olio Réservoir d'huile масляный бак Tanque aceite Öltank	260 l ; 6,8 gal
Fuel tank Serbatoio diesel Réservoir a carburant Топливный бак Depósito de combustible Treibstofftank	95 l ; 25 gal
UNDERCARRIAGE Sottocarro- Chenilles- гусеницы- Orugas- Raupenwagen	
Width Larghezza Largeur ширина Anchura Breite	1000 - 1500 mm ; 3,28 - 4,92 ft
Wheel base Passo cingolo Empattement Колесная база Distancia de rueda Radstand	2050 mm ; 6,7 ft
Shoes width Larghezza pattini Larghezza patins Ширина обуви Zapatos anchos Schuhbreite	300 mm ; 11,88 in
Max gradeability Pressione suolo Pression au sol давление на грунт Presion suelo Bodendruck	35%
Max speed Velocità max. Vitesse max. Макс. скорость Velocidad max. Max. Geschwindigkeit	1,5 km/h ; 0,90 mph

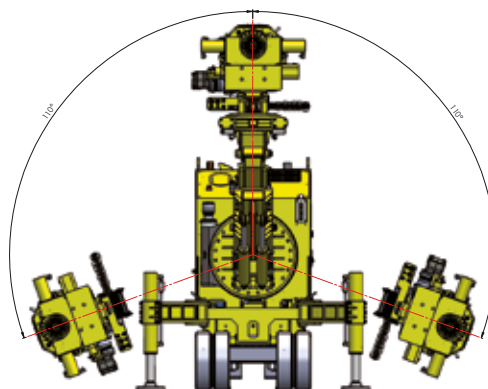
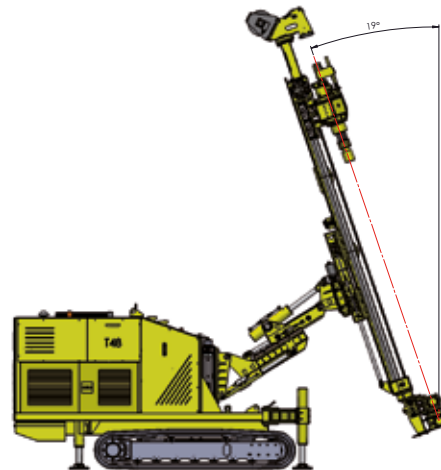
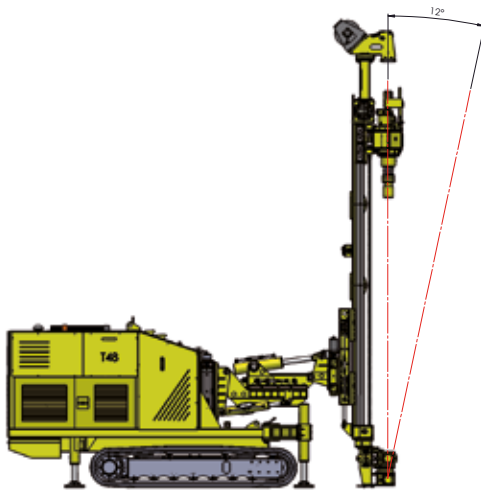
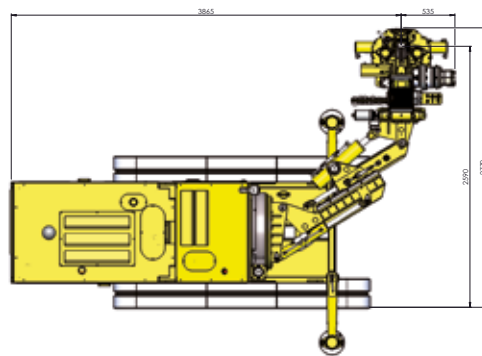
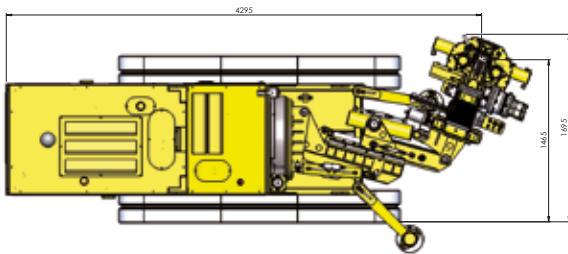
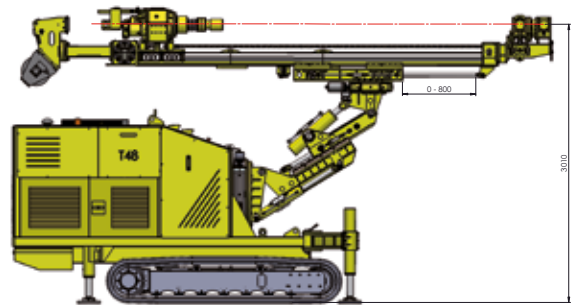
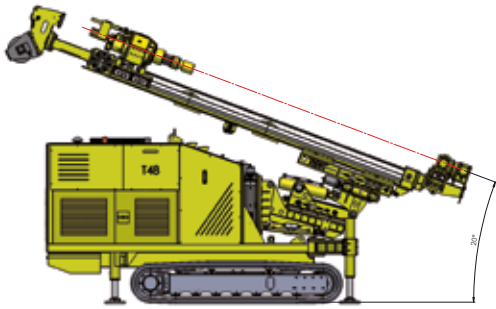
MAST - Mat- Мачта- Mastil	
Feed stroke Corsa utile Course utile ход вращателя Carrera Vorschublänge	1200 mm ; 3,9 ft 2200 mm ; 7,2 ft 3200 mm ; 10,5 ft
Total length Lunghezza totale Longueur totale Общая длина Largo total Gesamtlänge	4910 mm ; 16,10 ft
Pull-up Tiro-spinta Traction Маск. тяговое усилие Tiro Vorschubkraft	65 kN ; 14600 lbs
CLAMPS Morsa- Mors-тиски- Mordaza	
Clamping diameter Diametro bloccaggio Diamètre blocage диаметр захвата тисков Diametro bloque Durchmesser Sperre	40 - 219 mm ; 1,6 - 8,6 in 40 - 324 mm ; 1,6 - 12,75 in
Clamping force Forza chiusura Force fermeture усилие зажима Fuerza cierre Schließkraft	140 kN ; 31400 lbs 160 kN ; 3000 lbs
Break-out torque Coppia svitamento Couple deserrage момент развинчивания Par desenroscado Anzugsmoment	1900 daNm ; 14 lbft 2600 daNm ; 19,7 lbft
WEIGHT 6500 - 7500 Kg 14300 - 16500 lbs Peso- Poids- Бес- Gewicht	

English	Italiano	Français	русский	Español	Deutsch
---------	----------	----------	---------	---------	---------



Transport





T48



Rotary type 55 - 4V (floating shaft)				
(version)	(A)		(B)	
SPEED	daNm (lb ft)	RPM	daNm (lb ft)	RPM
1°	1750 (12908)	32	1248 (9204)	45
2°	1170 (8630)	43	832 (6136)	68
3°	875 (6454)	65	624 (4602)	91
4°	585 (4315)	98	416 (3068)	137
Rotary type 55 - 4V (high torque)				
(version)	(C)		(D)	
SPEED	daNm (lb ft)	RPM	daNm (lb ft)	RPM
1°	2280 (16285)	24	1733 (12781)	31
2°	1662 (12258)	32	1344 (9912)	40
3°	1104 (8142)	43	866 (6387)	62
4°	831 (6129)	65	672 (4956)	80
Rotary type 57 - 4V (floating shaft)				
(version)	(A)		(B)	
SPEED	daNm (lb ft)	RPM	daNm (lb ft)	RPM
1°	1742 (12848)	25	1445 (10657)	30
2°	868 (6402)	50	722 (5325)	60
3°	391 (2883)	113	361 (2662)	137
4°	195 (1438)	226	180 (1327)	274



OPTIONAL

Optional	Opzioni	Options	Опции	Opcionales	Extras
Top hammer	Martello idraulico	Marteau hydr.	пневмоударника	Martillo hidráulico	Top hammer
Foam pump	Pompa schiumogeno	Pompe à mousse	инжекционный	Bomba scarotatrice	Bohrpumpe
Water pump	Pompa Acqua	Pompe à eau	Водяной насос	Bomba agua	Wasserpumpe
Lubrificator DTH	Oliatore DTH	Graisneur DTH	масленка пневмоударника	Lubricador en linea	Schmiervorrichtung
Casing Extractor	Casing Extractor	Casing Extractor	Casing Extractor	Casing Extractor	Casing Extractor



T48



BERETTA migliora costantemente i suoi prodotti riservandosi il diritto di apportare qualsiasi modifica senza preavviso nè responsabilità
BERETTA continuously improves its products reservong the ringt to modify data without advance notice decling any responsibility

 **BERETTA**[®]
HYDRAULIC DRILLING RIGS

Address: Via Parini, 24 - 20842 Besana Brianza (Mb) - ITALY
Tel. +39.0362.995380
www.berettaalfredo.it - info@berettaalfredo.it